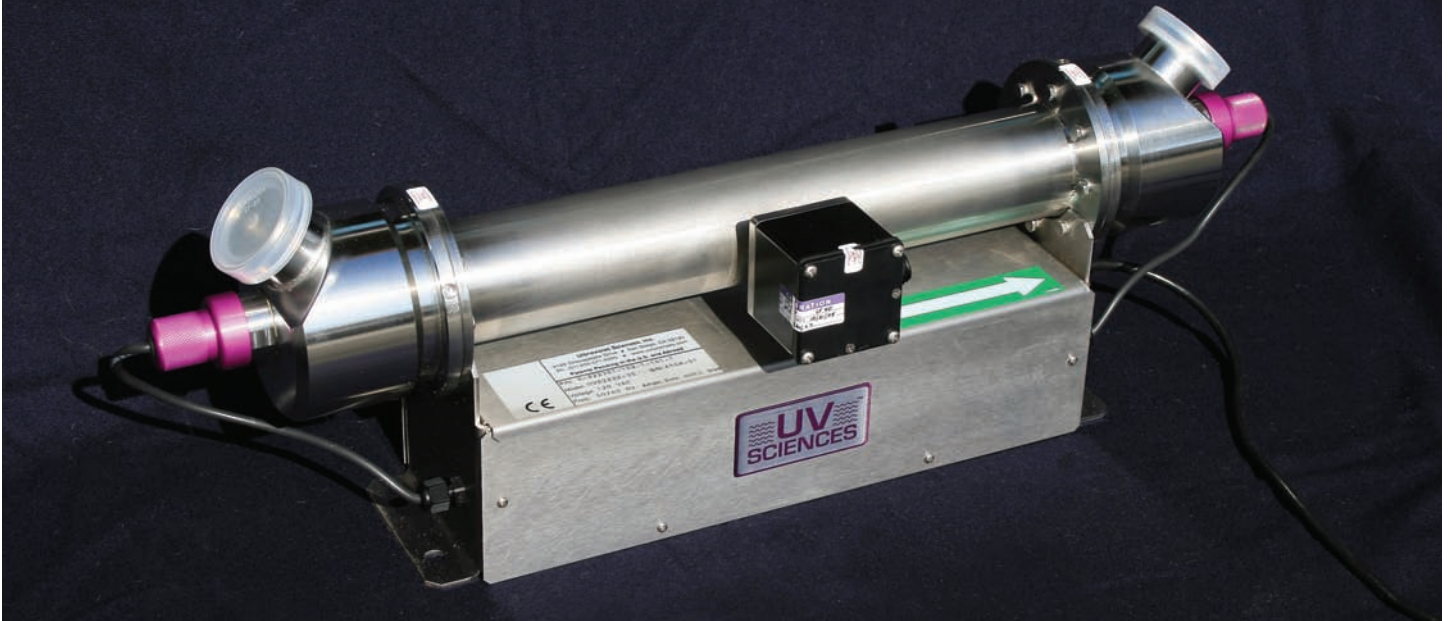


UV Sciences perfects ultraviolet water disinfection

UVS2XX Series for 0.1 gpm to 65 gpm



UVSI patented flow chamber design brings unparalleled performance in a compact size. This highly efficient reaction chamber saves thousands of dollars in capital and operation costs. Our UVS2XX Series have superior disinfection capabilities and outstanding TOC reduction performance. Our products are made from the highest quality materials, exceeding the rigorous demands required for industrial grade equipment.

Applications include:

- **TOC Reduction**
- **Chlorine and Chloramines Removal**
- **Ozone Destruction**
- **Ultrapure Water Disinfection**

All our units are FCC approved and TUV Rheinland certified, meeting the requirements of CE, UL and CSA.

Industry applications:

- Pharmaceutical
- Micro-electronics
- Medical Sciences
- Water Remediation
- Hospitality

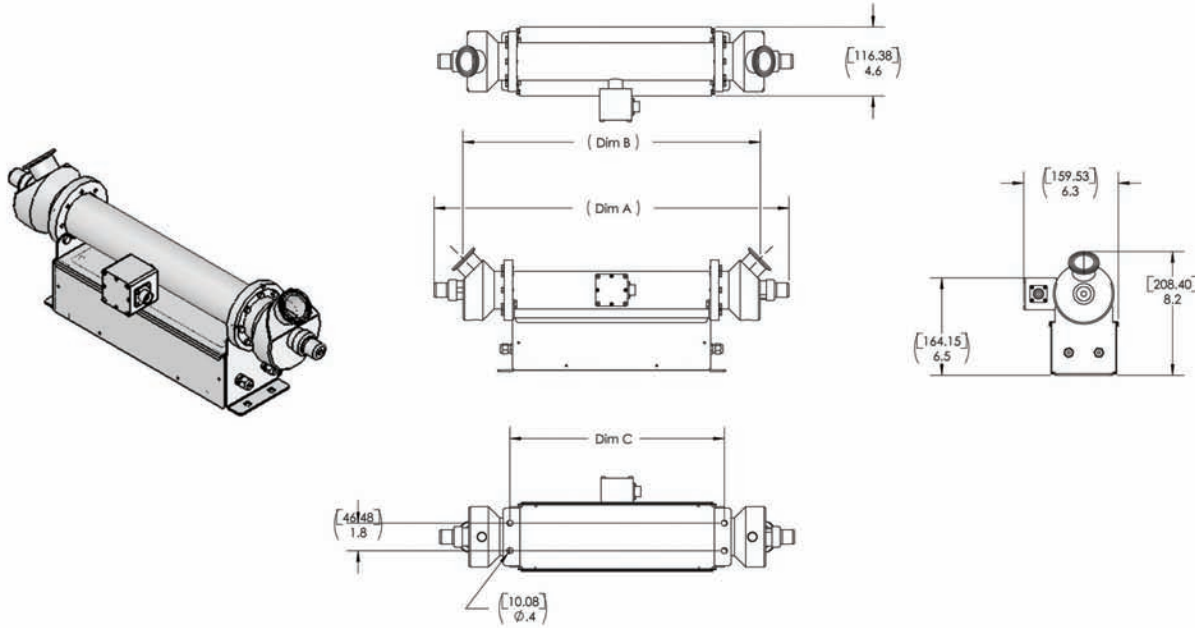
**UV
SCIENCES**

info at uvinfo@uvsciences.com

NOTES: UNLESS OTHERWISE SPECIFIED

1. INLET AND OUTLET CONNECTIONS TO BE MADE WITH 1.5IN SANITARY FITTINGS
2. OPTIONAL FITTINGS INCLUDE ANSI FLANGE, SWAGE, AND NPT

REVISIONS			
REV.	DESCRIPTION	DATE	APPROVED
B	REVISED DIMENSIONS, ADDED TABLE	8/11/2009	



Model	DIM A	DIM B	DIM C	Rated Flow	Pressure Drop	Weight
UVS 222S	23.6	19.7	14.2	35 gpm/ 130 Lpm	4 psi/ 27.6k Npm	30 lbs/ 14 kgs
UVS228S	29.6	25.7	20.2	50 gpm/ 190 Lpm	10 psi/ 68.9k Npm	33 lbs/ 15 kgs
UVS238S	39.6	35.7	30.2	65 gpm/ 250 Lpm	20 psi/ 137.9k Npm	42 lbs/ 19 kgs

- 1) Rated Flow based on 99% UVT
- 2) Pressure Drop defined at Rated Flow
- 3) Weight is without water (Dry Weight)

PROPRIETARY AND CONFIDENTIAL THE INFORMATION CONTAINED IN THIS DRAWING IS THE SOLE PROPERTY OF ULTRAVIOLET SCIENCES. ANY REPRODUCTION IN PART OR AS A WHOLE WITHOUT THE WRITTEN PERMISSION OF ULTRAVIOLET SCIENCES IS PROHIBITED.		UNLESS OTHERWISE SPECIFIED: DIMENSIONS ARE IN INCHES TOLERANCES: FRACTIONAL ± 1/32 ANGULAR MATCH ± .5° BEND ± 1° ONE PLACE DECIMAL ± .1 TWO PLACE DECIMAL ± .02 THREE PLACE DECIMAL ± .005 PERFORM GEOMETRIC TOLERANCING PER: Y14.5M-94 MATERIAL: N/A FINISH: N/A		NAME: ALKCOMT DATE: 01/23/09
NEXT ASSY: USED ON:		COMMENTS:		
APPLICATION: DO NOT SCALE DRAWING		TITLE: DIAGRAM, MOUNTING, 2IN SERIES 3 SYSTEMS SIZE: B DWG. NO.: 1675 REV: B SCALE: 1:4 SHEET 1 OF 1		

UVS 2XX Series Product Specifications

Specification	Model Number			
	UVS219T	UVS222S	UVS228S	UVS238S
Disinfection Flow Rate - gpm	30	35	50	65
Disinfection Flow Rate - m3/hr	6.8	8	11	15
TOC Redcuton Flow Rate - gpm	8.3	9.7	14.9	18.1
TOC Redcuton Flow Rate - m3/hr	1.9	2.2	3.2	4.2
Number of Lamps	1	1	1	1
Lamp Life hours	9000	9000	9000	9000
Lamp Replacement	Dry, by Hand	Dry, by Hand	Dry, by Hand	Dry, by Hand
Operating Power watts	85	85	100	125
Operating pressure - psi (bar)	150 (10)	150 (10)	150 (10)	150 (10)
Operating Temp. - deg F (deg C)	36-104 (3-40)	36-104 (3-40)	36-104 (3-40)	36-104 (3-40)
Non Flow Standby Time	60 min	60 min	60 min	60 min
Mounting Horizontal or Vertical	Yes	Yes	Yes	Yes
Water Contact Finish	Ra-15	Ra-15	Ra-15	Ra-15
Controller, Remote	NEMA 4X	NEMA 4X	NEMA 4X	NEMA 4X
Real Time Dosimetry	Yes	Yes	Yes	Yes
Alarms, Remote Control & Monitoring	Yes	Yes	Yes	Yes



Ultraviolet Sciences Inc.
 9189 Chesapeake Dr.
 San Diego, CA 92123
 858-571-6590
 www.uvsciences.com



info at uvinfo@uvsciences.com